

### Example 1

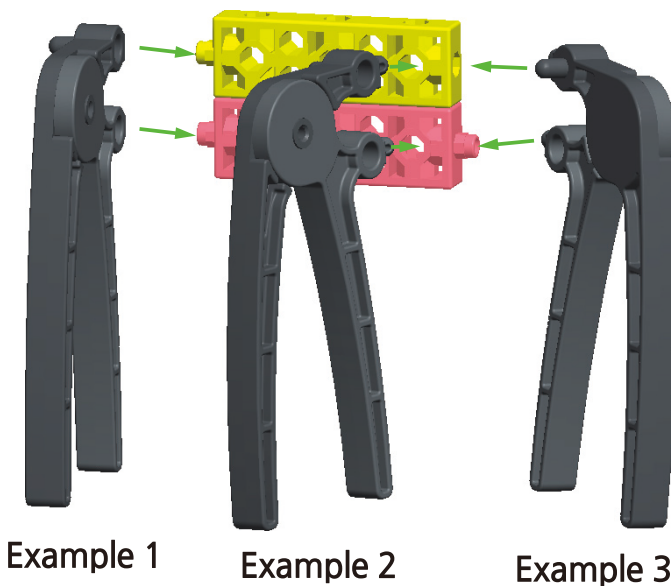
Match the holes in the tool with the stub in the cells to disassemble

### Example 2

Match the stubs in the tool with the holes in the cells to disassemble

### Example 3

Match the holes and stubs in the tool in the cells to disassemble



# 04





## TORI Crane





### TORI Crane Part list | Let's make a structure

Diamond H8 (2)	Diamond V8 (1)	Dia mini 8 (7)	Dia mini 6 (2)	Rubi 8 (2)	Rubi 7 (3)	Rubi 7 (8)	Rubi 6 (2)	Rubi 4 (11)	Rubi 2 (4)	Rubi 2 (3)	Rubi 2 (6)	Rubi 0 (6)
Rubi 0 (2)	Mini 2 (2)	Mini 2 (4)	Mini 2 (6)	Mini 1 (3)	Curve (1)	Triangle (3)	Link (4)	Cuboid (1)	Short Connector (3)	Middle Connector (2)	Long Connector (3)	Vertical Connector (2)
Sawtooth 12 (1)	A23 (1)	A45 (3)	A64 (6)	Formula wheel (5)								


**1**


x1  x2 


x2 



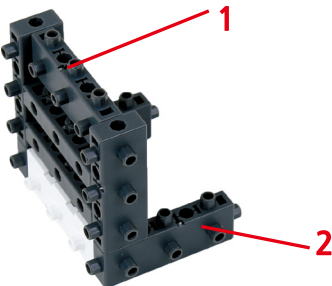
**2**

x1 


x2 




**3**

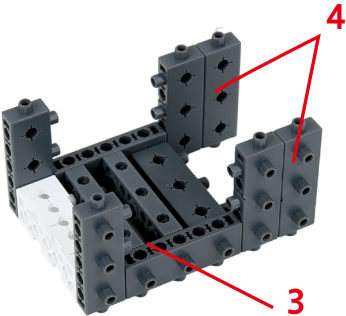


**4**


x4 





**5**

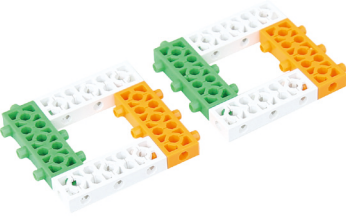


**6**


x2 

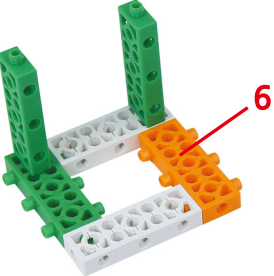
x2 

x4 

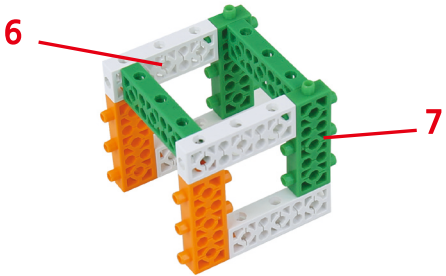
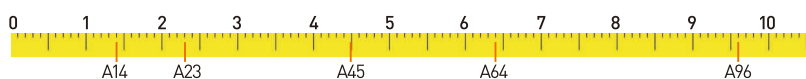


**7**

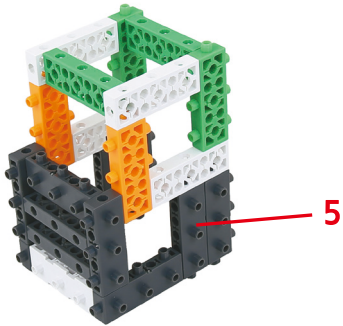
x2 



**8**

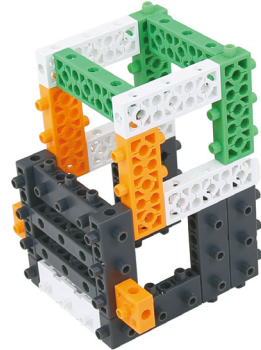



9



10

 x2



11

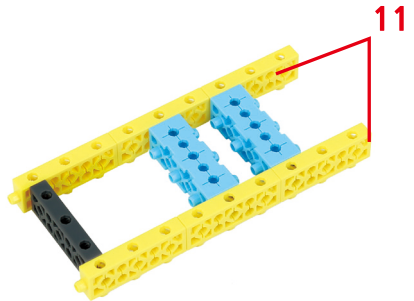
 x6



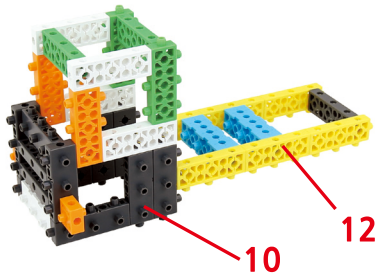
12

 x2

 x1



13



14

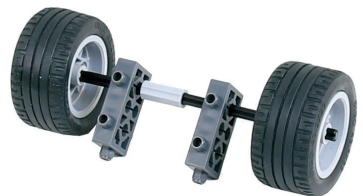
 x2

 x2

 x1  
A45

 x1

 x1  
A64

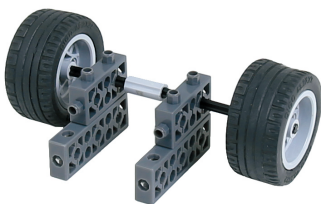


15

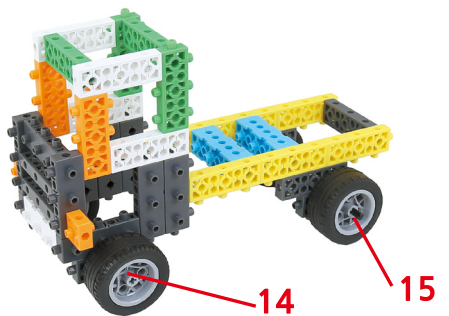
 x2  x2

 x1  x2

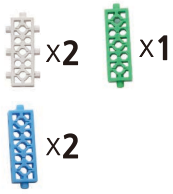
 x1  
A45  x1  
A64



16



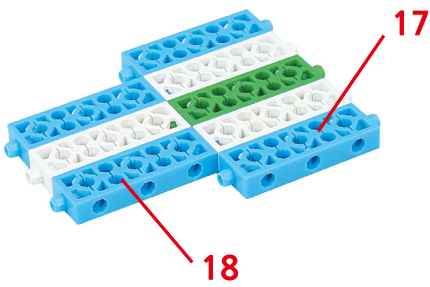
17



18



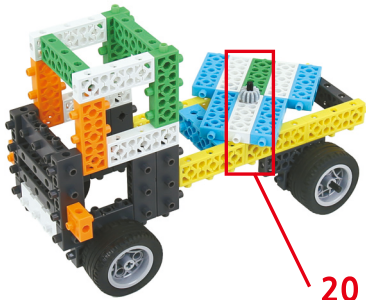
19



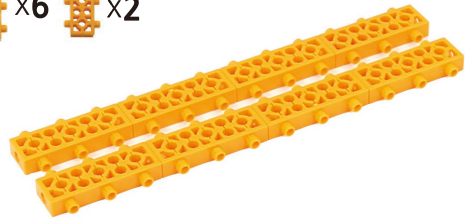
20



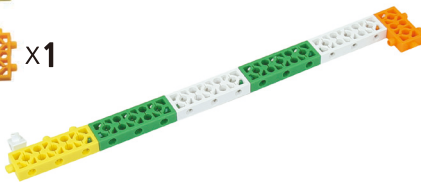
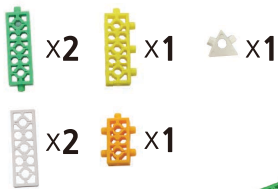
21



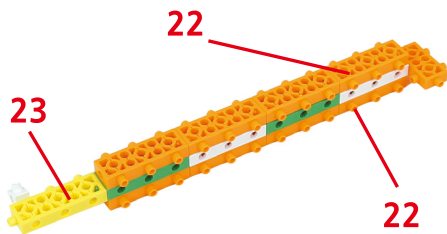
22



23

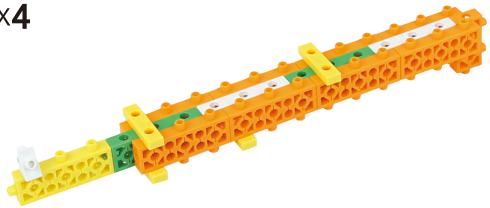


24



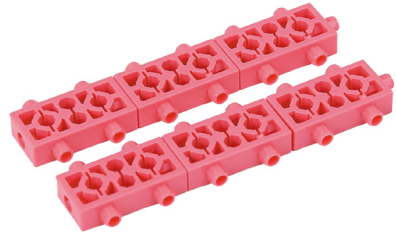
25

x4



26

x6

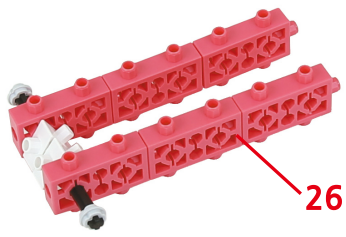


27

x2

x2

x1  
A64



28

x1

x1

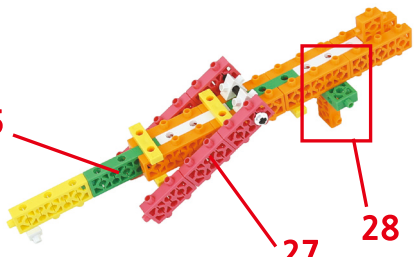


29

25

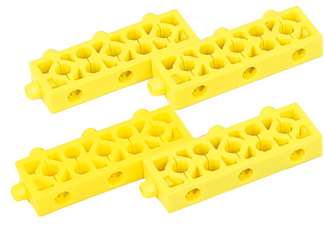
27

28



30

x4



31

x1  
A23

x2  
A64

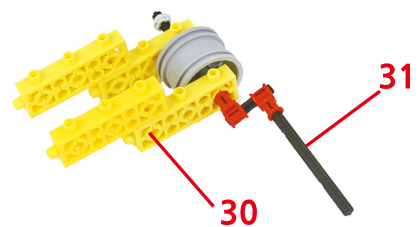
x2



32

x1

x1





★ ★  
33

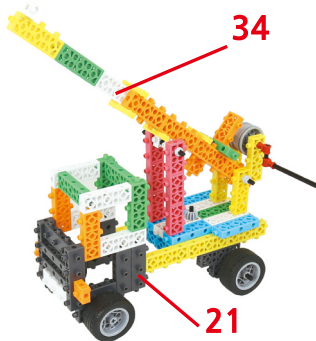


★ ★  
34

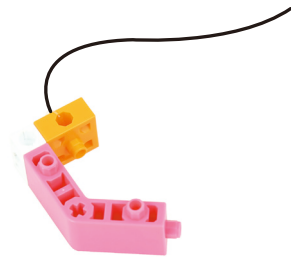
● x1



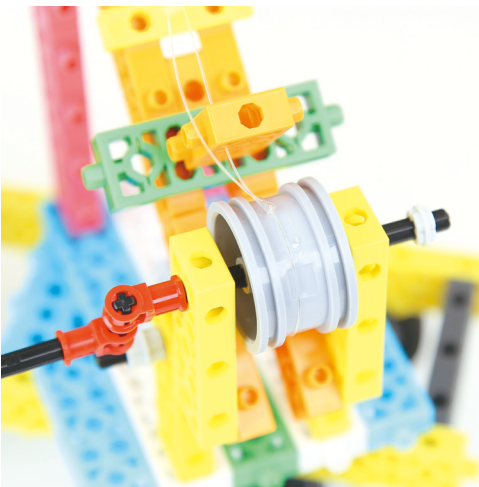
★ ★  
35



★ ★  
36



★ ★  
37



★ ★  
38

